

XJC-Y03-4M



特点/Feature

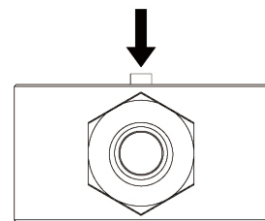
- ★ XJC-Y03-4M采用高精度电阻应变式原理
- ★ 可满足 0-15T 范围内的力测量。
- ★ 防油、防水、耐腐蚀
- ★ 磨合结构设计，压式承载，安装使用方便灵活。
- ★ 优质不锈钢材料
- ★ 响应频率高
- ★ XJC-Y03-4M adopts high-precision resistance strain principle
- ★ Meet force measurement in the range of 0-15T.
- ★ Oil, water, corrosion resistance
- ★ Capsule structural design, pressure-bearing, easy to install.
- ★ High quality stainless steel material
- ★ High response frequency

*外形和量程可根据客户的要求特殊定制
Dimension and capacity can be customized by request.

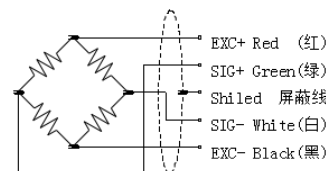
技术参数/Technical specifications

量程 (可选) Capacity (Optional)	0.2t,0.5t,1t,2t,3t,5t, 10t,12t,15t	材质 Material	不锈钢/Stainless steel
非线性 Nonlinearity	0.2% F.S.	输出灵敏度 Rated output	1.0-1.5mV/V
使用电压 Recommended excitation	5-10VDC	最大使用电压 Maximum excitation	10V DC
防护等级 Protection class	IP66	温度补偿范围 Compensated temp range	-10 ~ 40 °C
滞后 Hysteresis	0.2% F.S.	工作温度范围 Operating temp range	-20 ~ 80 °C
重复性 Repeatability	0.2% F.S.	绝缘电阻 Insulation	≥5000MΩ/100VDC
输入阻抗 Input impedance	380 ± 30Ω(750 ± 50Ω)	输出阻抗 Output impedance	350 ± 5Ω(700 ± 10Ω)
蠕变 (30分钟) Creep (30min)	0.2% F.S.	温度灵敏度漂移 Temp effect on output	0.2% F.S. / 10°C
零点输出 Zero balance	± 2% F.S.	零点温度漂移 Temp effect on zero	0.2% F.S. / 10°C
安全超载 Safe load limit	150%	极限超载 Ultimate load limit	200%
电缆线尺寸 Cable size	Ø4x4m	使用寿命 Life	满量程100万次以上 Full scale more than 1 million times
电缆线连接方式 Cable connection	Ex + : 红 Red; Ex - : 黑 Black; Sig + : 绿 Green; Sig - : 白 White		

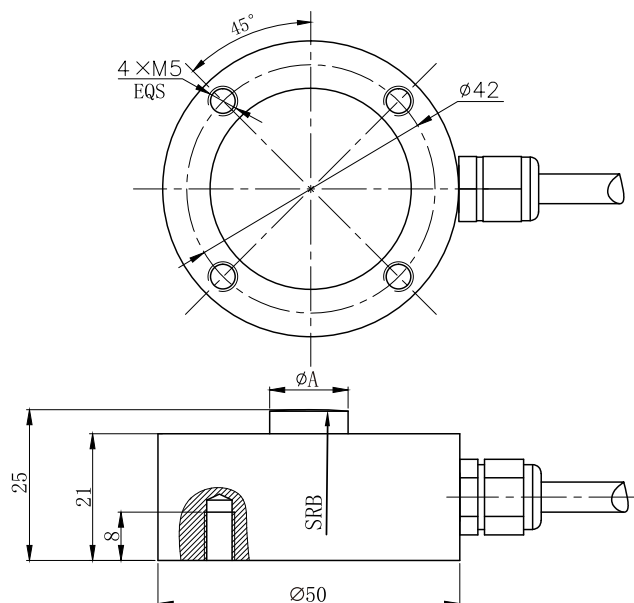
受力方向/Load direction



接线图/Wiring code



平面图/Plan (单位:mm)



量程/Capacity	A	B
0.2 / 0.5 / 1 / 2 / 3t	13	85
5 / 10 t	16	100
12 / 15 t	21	100

主要应用/Applications

汽车，医疗，机器人，电子，机械设备，自动化设备等
Automotive, medical, robot, electronic, mechanical equipment, automation equipment, etc.

例如：按键手感测试仪器，冷热压机压力检测，机器人手抓力等安装空间小的力值检测领域

Force measurement in small space installation, such as feeling tester for keyboard switch, compression force measurement for hot and cold lamination machine, and grasping force measurement for robotic hands